



Welcome

We look forward to seeing you on board again soon, but until then we hope you have fun getting creative with all the exciting activities in this pack. Enjoy the holidays!

What's inside

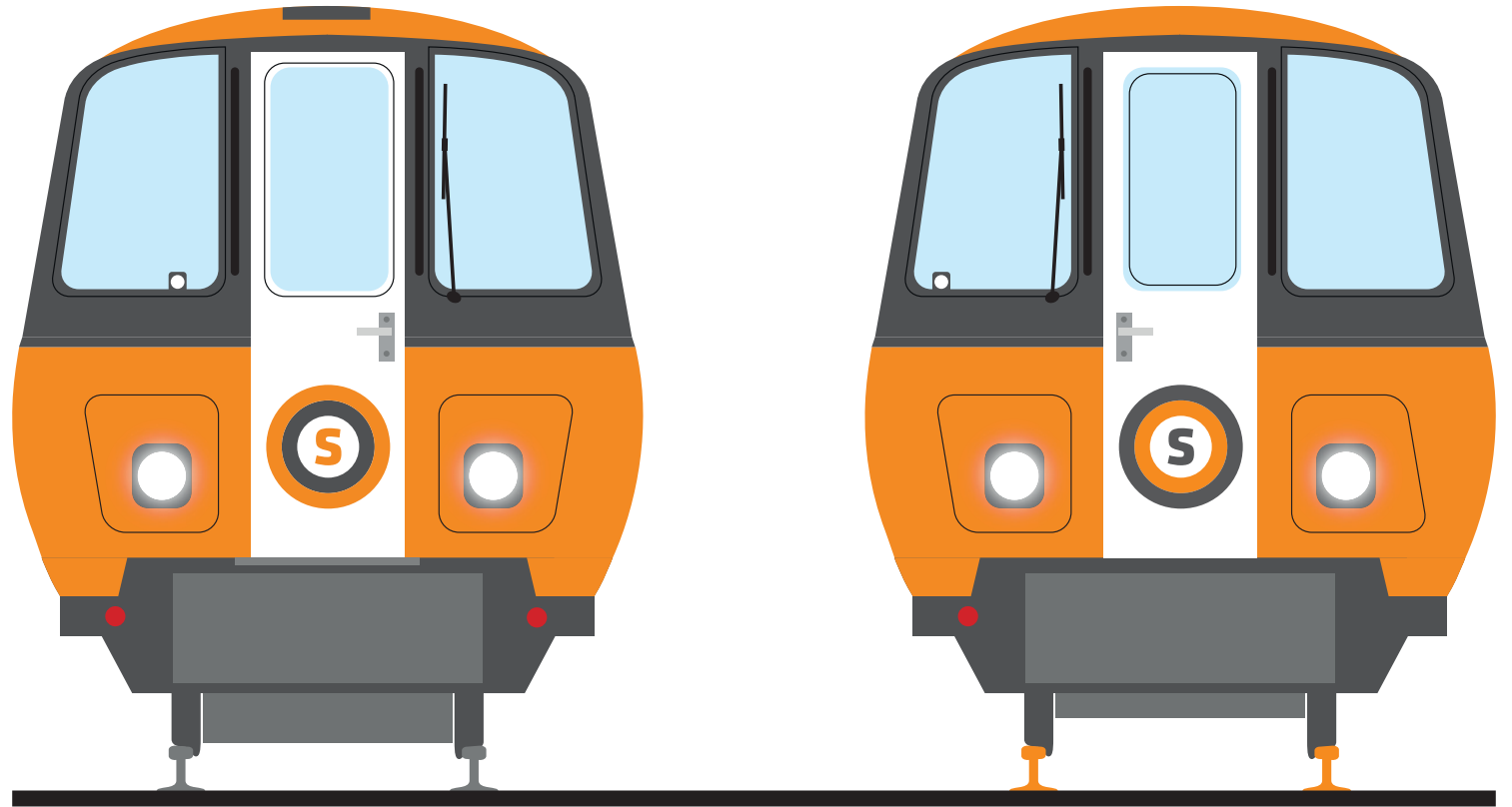
We have a host of activities for everyone to enjoy including:

- Spot the difference
 - Historical milestones
 - Historical quiz
 - Create your own logo
 - Word search
 - Colouring sheets
-



Spot the difference

Take a look at the train on the left and see if you can spot the **10 differences** on the train on the right. Circle each difference as you find them.

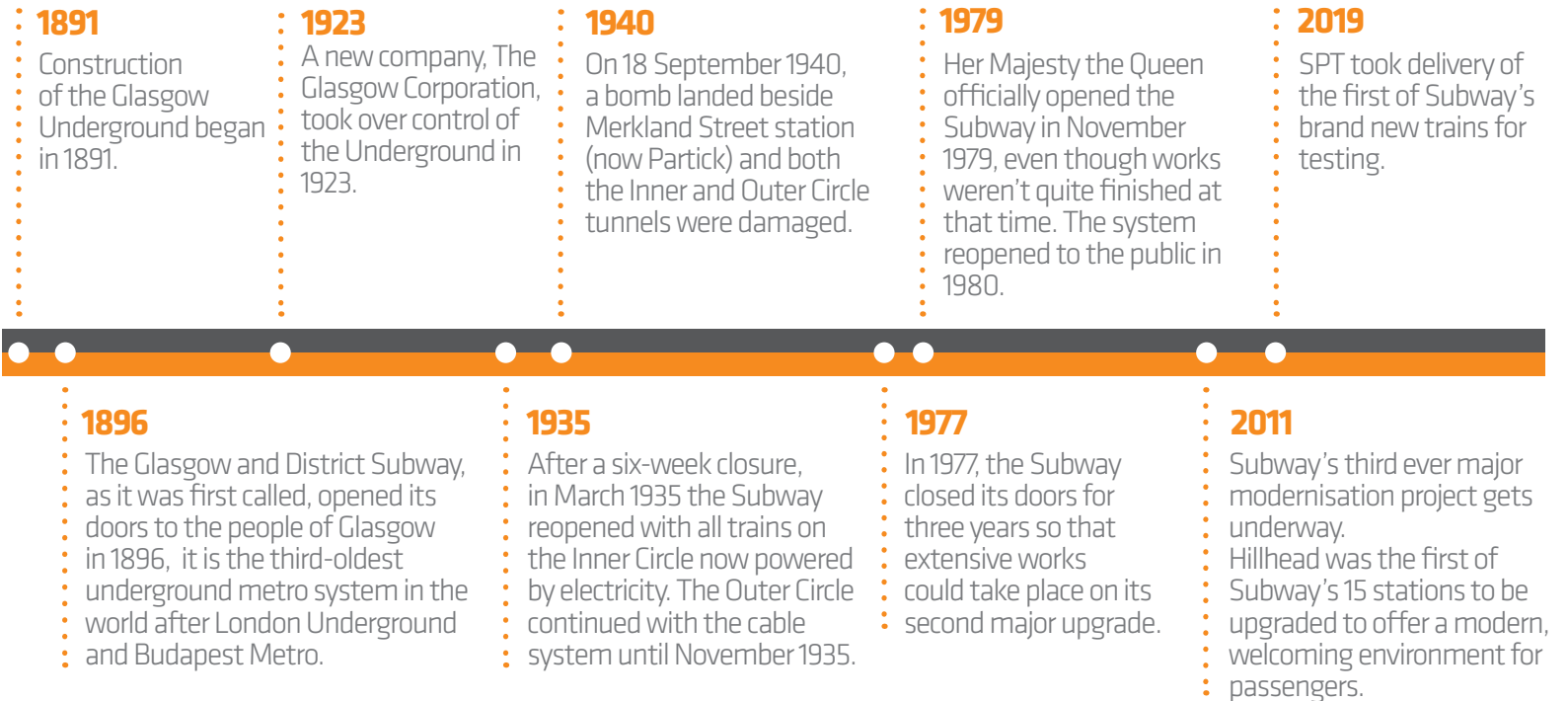




Historical milestones

We have listed some of Subway's key milestones over its 124 year history.

Subway Timeline





Historical quiz

Why not put your new knowledge to the test and have a go at these questions based on historical milestones on the previous page.

1 What year did the Subway first open?

2 What was the Subway called when it first opened?

3 Who took over control of the Underground in 1923?

4 In 1935, how many weeks was the subway closed for?

5 How was the Subway powered before the introduction of electricity?

6 What was the name of the station where the bomb landed beside?

7 How many years was the Subway closed so that extensive works could take place?

8 Who officially reopened the Subway in November 1979?

9 When did the system reopen to the public?

10 Which station was the first to be upgraded in 2011?



Create your own logo

The Subway logo was created using a very simple idea which represented the two Subway lines.

If you were to create a brand new logo for the Subway what would it look like?

Use the space on the next page to capture all your great ideas, and then use the page after that to show off your final design.





Create your own logo Ideas





Create your own logo

Final design

Why not take a photo of your designs and post them to social media and tag Subway on either Facebook, Twitter or Instagram for a chance to be featured?

Facebook - [@glasgowsubway](#)

Twitter - [@GlasgowSubway](#)

Instagram - [@glasgow_subway](#)





Word search

Hidden in the word search are the names of our 15 stations. Once you find each one, tick them off from the list below.

- Bridge St
- Buchanan St
- Cessnock
- Cowcaddens
- Govan
- Hillhead
- Ibrox
- Kelvinbridge
- Kelvinhall
- Kinning Park
- Partick
- Shields Rd
- St Enoch
- St George's Cross
- West St

K	E	L	V	I	N	B	R	I	D	G	E	O	S	B	C	U	K
E	T	D	A	B	H	R	M	C	Q	N	Y	E	G	S	O	X	R
L	S	R	Y	R	J	I	M	E	V	T	R	U	A	Q	W	E	A
V	N	S	C	O	O	D	U	G	I	L	D	F	B	W	C	E	P
I	A	D	E	X	L	G	D	Y	H	I	L	L	H	E	A	D	G
N	N	L	V	W	D	E	A	T	P	C	W	P	N	S	D	O	N
H	A	E	C	E	S	S	N	O	C	K	O	N	B	T	D	Z	I
A	H	I	K	C	I	T	R	A	P	C	A	N	A	S	E	R	N
L	C	H	B	F	L	W	S	I	G	V	O	S	E	T	N	H	N
L	U	S	Z	G	Q	W	X	K	O	F	A	T	R	T	S	Z	I
X	B	S	T	G	E	O	R	G	E	S	C	R	O	S	S	I	K



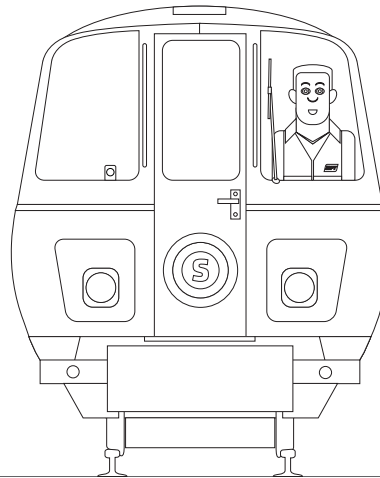
Colouring sheets

On the next two pages you will find pictures for colouring in. What colours will you choose?

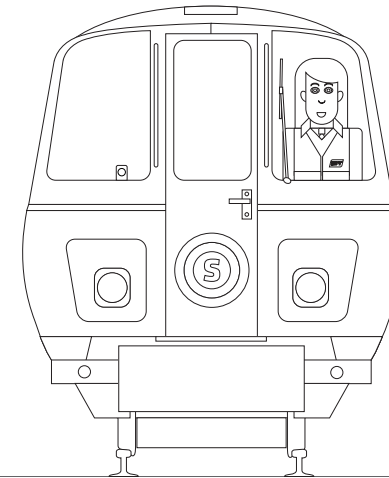
Why not take a photo of your pictures and post them to social media and tag Subway on either Facebook, Twitter or Instagram for a chance to be featured?

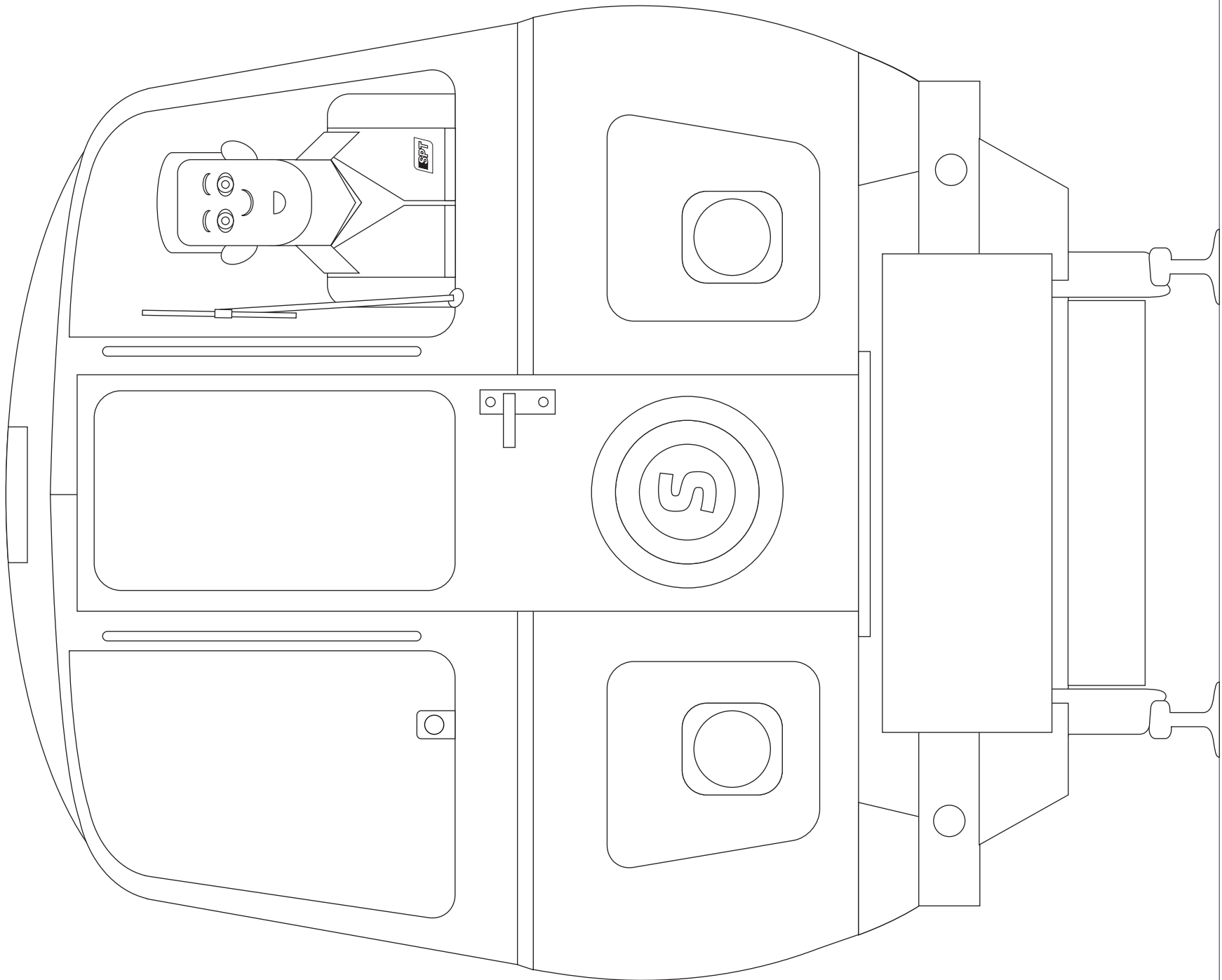
Facebook - [@glasgowsubway](#)
Twitter - [@GlasgowSubway](#)
Instagram - [@glasgow_subway](#)

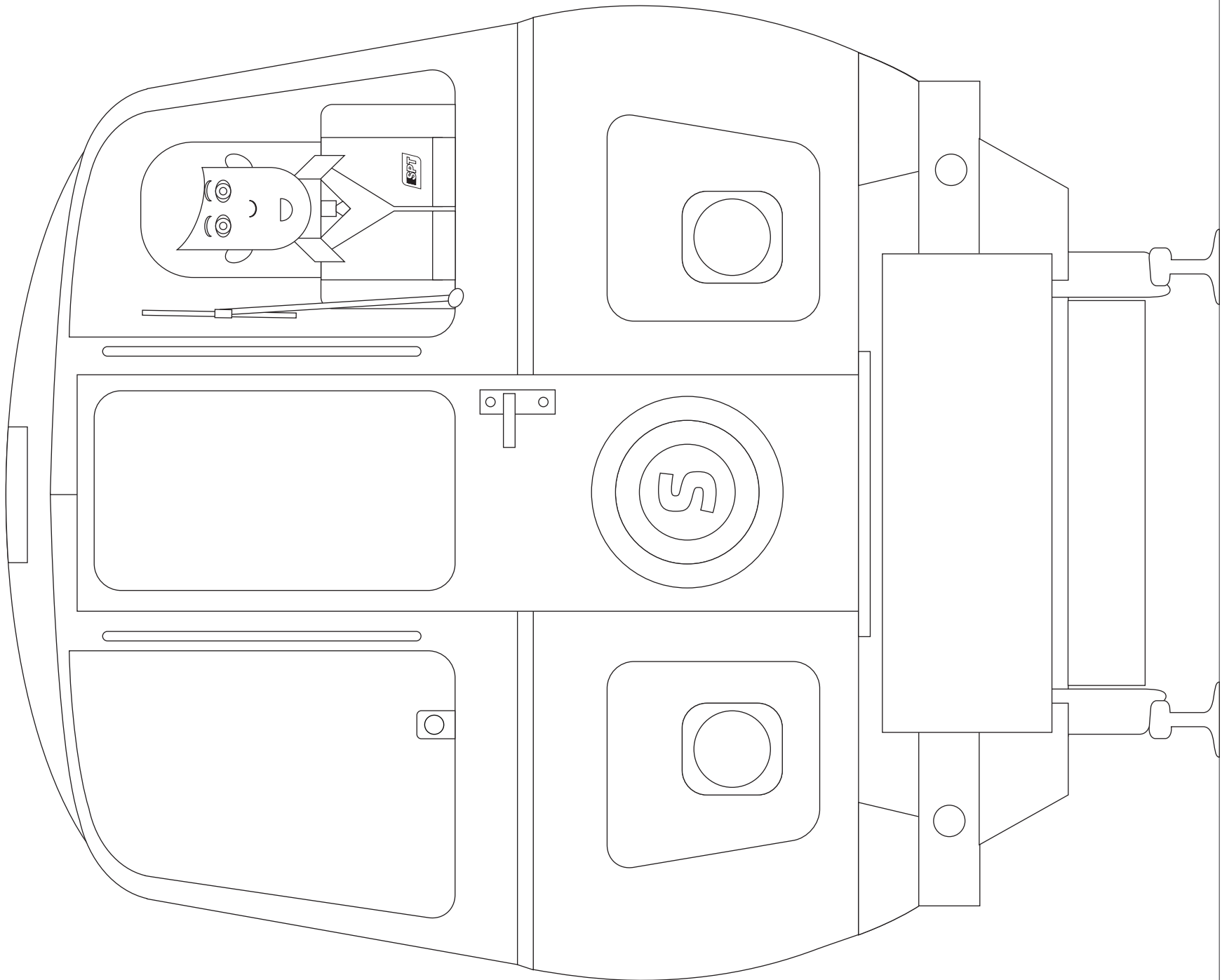
1



2



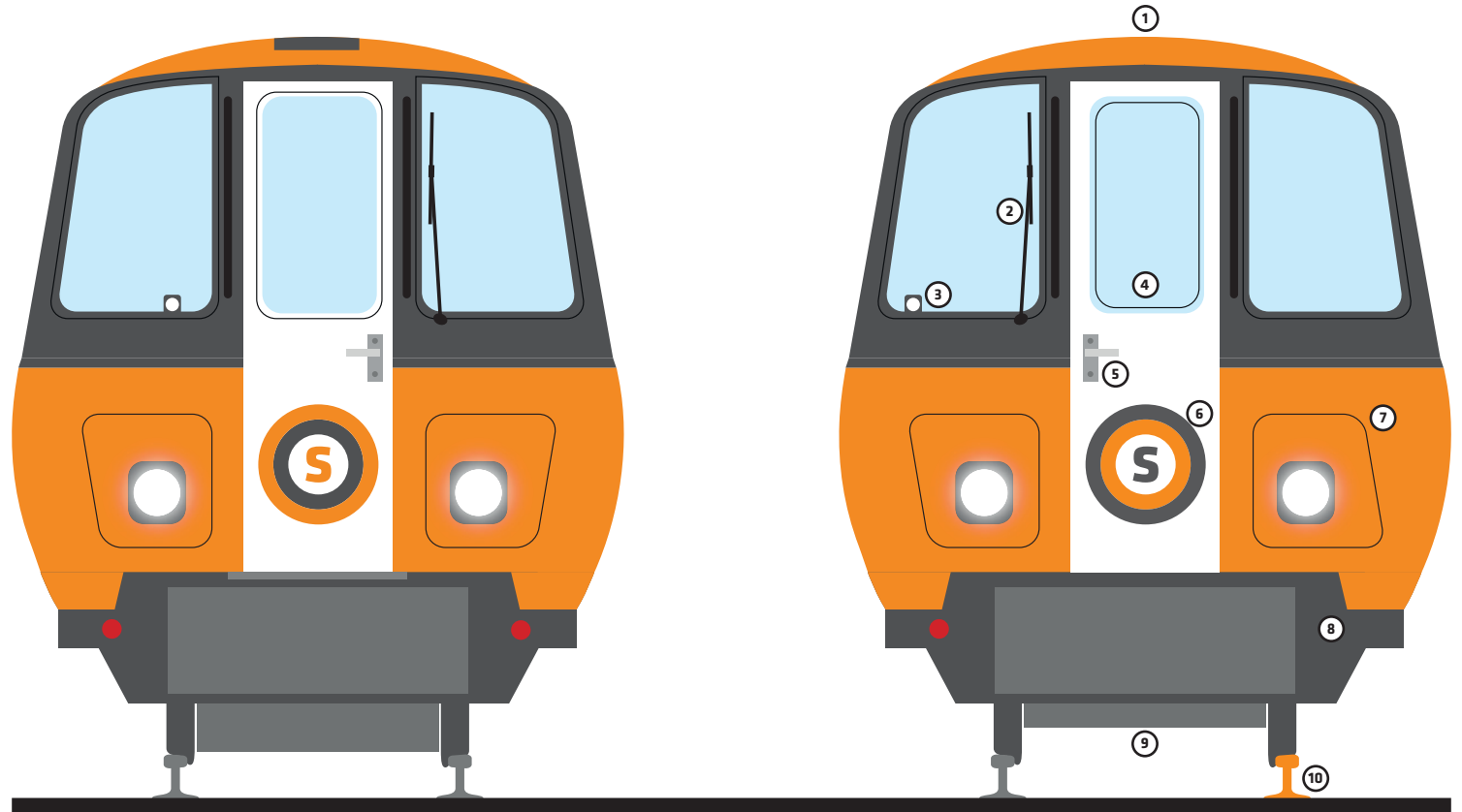






Spot the difference

How many did you find?



Score

/10



Historical quiz

How many did you get correct?

- 1 What year did the Subway first open?

1896

- 2 What was the Subway called when it first opened?

The Glasgow and District Subway

- 3 Who took over control of the Underground in 1923?

The Glasgow Corporation

- 4 In 1935, how many weeks was the subway closed for?

Six weeks

- 5 How was the Subway powered before the introduction of electricity?

A cable system

- 6 What was the name of the station where the bomb landed beside?

Merkland Street Station

- 7 How many years was the Subway closed so that extensive works could take place?

Three years

- 8 Who officially reopened the Subway in November 1979?

The Queen

- 9 When did the system reopen to the public?

1980

- 10 Which station was the first to be upgraded in 2011?

Hillhead Station

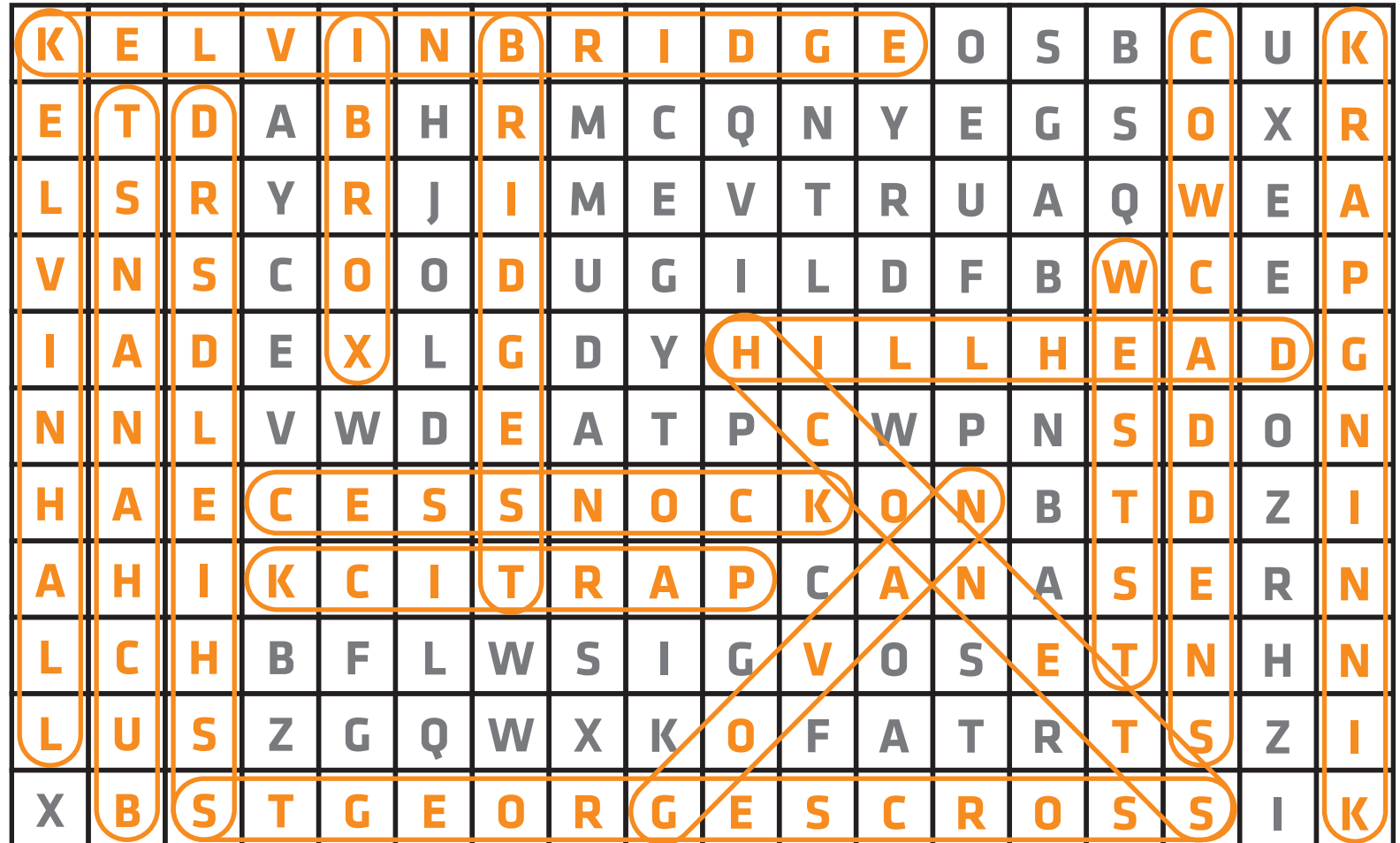
Score

/10



Word search

How many did you find?



Score

/15